

TECHNICAL DATA SHEET

Ref. 500023

UNIPOLAR BATTERY

MASTER SWITCH

24VDC / 100A



GENERAL CHARACTERISTICS

Protection degree: IP63
Ambient temperature: -40°C to +85°C
Weight: 0.222 Kg approx.
Contacts: Copper
Connections: not polarized

FIELDS OF APPLICATION

Handling vehicles, industrial vehicles,
agriculture machinery, industry...

POWER CIRCUIT

Connection: M10 terminals
Tightening torque: 1.5 +/- 0.1 daN·m
Type: D1 normally open
Nominal current: 100 A
Nominal voltage: 24 VDC
Max. capacity: 500 A during 5 seconds

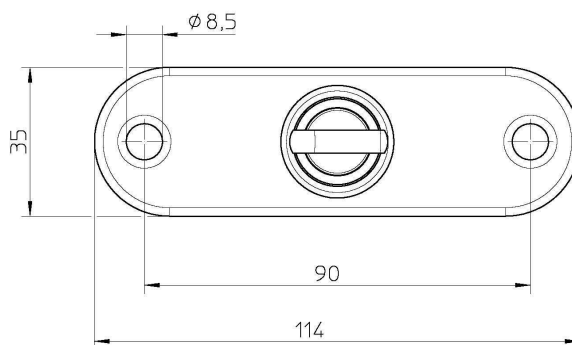
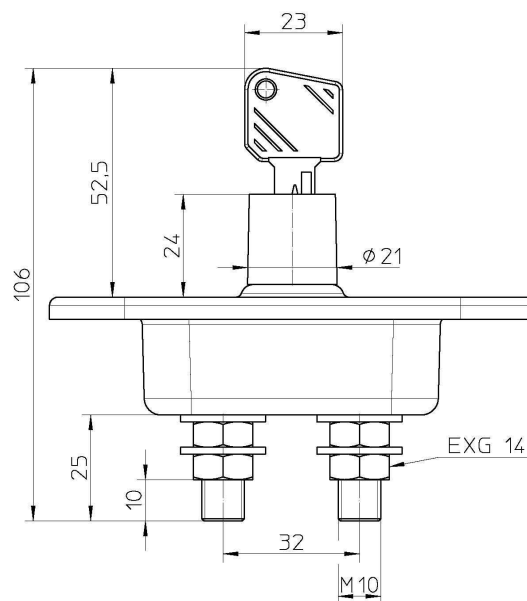
PARTICULAR CHARACTERISTICS:

Security key control

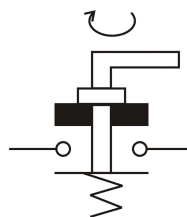
SPARE PARTS

Key 520000

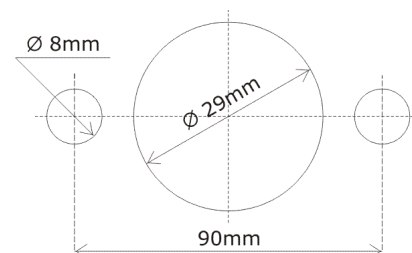
Size diagrams



Connection diagram



Fixing diagram



P.I. LLINARS PARK, C/ TECNOLOGIA, 82, NAVE N°7
08450 LLINARS DEL VALLÈS
BARCELONA (SPAIN)

Tel. : + 34.93.732.35.91 - Fax : + 34.93.732.35.90

WWW.CORMAR.ES - info@cormar.es