

TECHNICAL DATA SHEET

Ref. 500010

UNIPOLAR BATTERY

MASTER SWITCH

24VDC / 250A



GENERAL CHARACTERISTICS

Protection degree: IP665
Ambient temperature: -40°C to +85°C
Weight: 0.562 Kg approx.
Contacts: Copper
Connections: not polarized

FIELDS OF APPLICATION

Handling vehicles, industrial vehicles,
agriculture machinery, industry...

POWER CIRCUIT

Connection: M10 terminals
Tightening torque: 1.5 +/- 0.1 daN·m
Type: D1 normally open
Nominal current: 250 A
Nominal voltage: 24 VDC
Max. capacity: 2500 A during 5 seconds

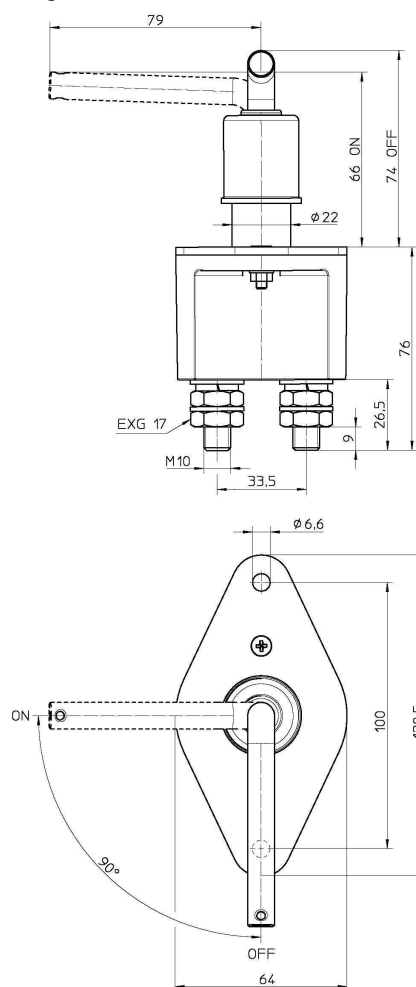
PARTICULAR CHARACTERISTICS:

Removable handle

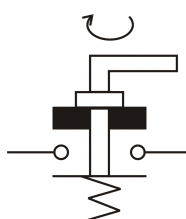
SPARE PARTS

Handle + chain + protector	520020
Handle	500029
Strap + PVC protection	520003

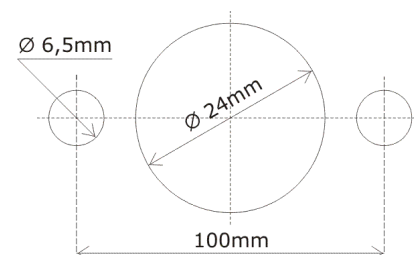
Size diagrams



Connection diagram



Fixing diagram



P.I. LLINARS PARK, C/ TECNOLOGIA, 82, NAVE Nº7
08450 LLINARS DEL VALLÈS
BARCELONA (SPAIN)

Tel. : + 34.93.732.35.91 - Fax : + 34.93.732.35.90

WWW.CORMAR.ES - info@cormar.es